

**A.Y.DADABHAI TECHNICAL INSTITUTE, KOSAMBA.  
CIVIL ENGINEERING DEPARTMENT.**



**WELDED CONNECTION DEMONSTRATION REPORT**

**AT**

**A.Y.D WORKSHOP, KOSAMBA**



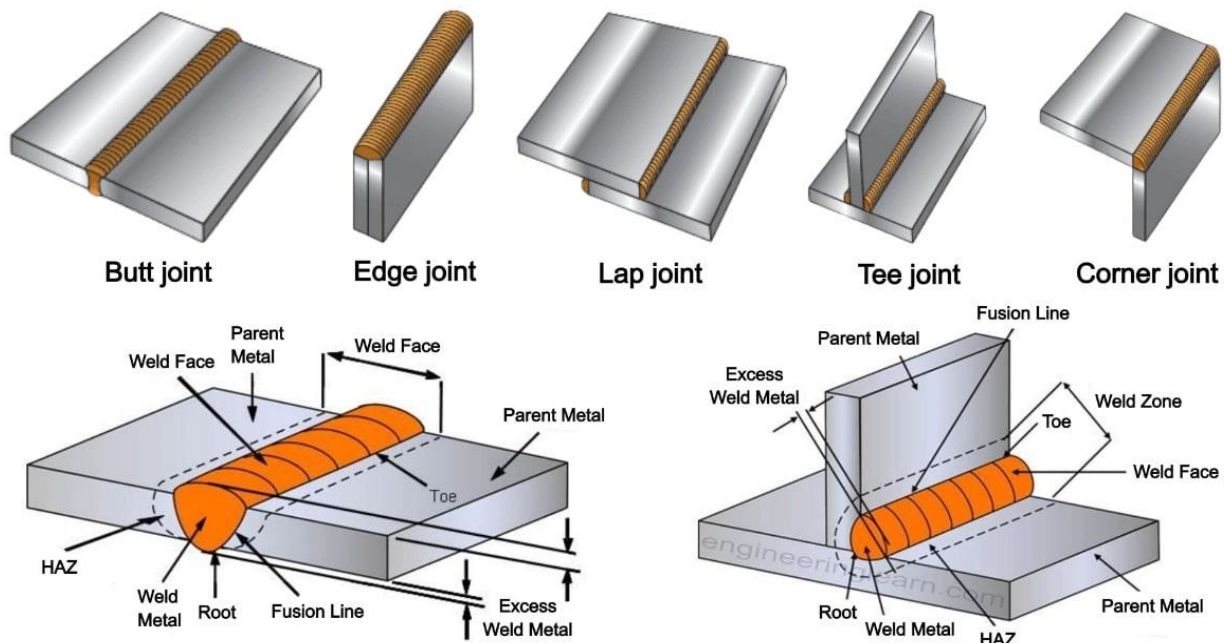
**For curricular subject**

**DESIGN OF STEEL STRUCTRE(3350601)**

**5<sup>TH</sup> semester(Batch - 2020)**

Civil engineering department has organized **WELDED CONNECTION DEMONSTRATION** of curricular subject of DESIGN OF STEEL STRUCTURE on 5<sup>th</sup>-September-2022 of 5<sup>th</sup> semester students (batch 2020). we visited WORKSHOP at A.Y.D campus, Kosamba with co-ordination of staff members, Mr. M.J.Parmar Of civil engg-department under the permission of Mr. S.A.KAPADIYA (WORKSHOP SUPRITENDENT) of our INSTITUTE was completed during at 1:00 PM to 03:00PM.

We were shown welding demonstration by the workshop instructor Mr. Jayesh Solanki. During the demonstration we get information regarding Types of equipment used in welding. Different types of welding. Precautions to be taken during welding. I.S-800:2007 Provisions for welding. Different types of welding joints like lap joint and butt joint. Many questions were asked by us and we get lots of information about it .





# A.Y.D. SKILL DEVELOPMENT CENTER

## FITTER FABRICATION

### Elementary welding symbols

No.	Designation	Illustration	Symbol
1.	Butt weld between plates with raised edges (the raised edges being melted down completely)		
2.	Square butt weld		
3.	Single-V butt weld		
4.	Single-bevel butt weld		
5.	Single-V butt weld with broad root face		
6.	Single-bevel butt weld with broad root face		
7.	Single-U butt weld (parallel or sloping sides)		
8.	Single-U butt weld		
9.	Backing run; back or backing weld		
10.	Fillet weld		
11.	Plug weld; plug or slot weld		
12.	Spot weld		
13.	Seam weld		

2022/9/5 14:13